



DSN-10

Nebula Tripod Turnstile

SAFETY
LEVEL

AESTHETICS

COSTING

Description

- Nebula Tripod turnstile is the simple type, with the lowest price in all type turnstiles. The most obvious feature is that only one person can pass at one time. And it supports standard tripod arm type 650mm and handicapped swing type 1100mm for wide passageway, wheelchair, and pedestrian with large luggage can also pass.
- Nebula tripod turnstile with unique design, stylish of modern and urbanization cabinet, typical swipe card panel, attractive blue LED strip, solid body crate, brushed stainless steel and high-end black painting process.
- Superior production: Integrated mold production to ensure the high quality guaranteed.
- Fined welding: adopt Robot for weld to improve the high technological level.
- It is ideal for both indoor and outdoor settings.
- In case of emergency, tripod turnstile horizontal arms will drop down automatically to allow free passage when power off.
- It is suitable for areas with general pedestrian traffic (e.g.: Hotel, Gym, Building, Shopping mall, Reception Area and so on).



We don't only offer turnstile gates

We offer full access control solutions

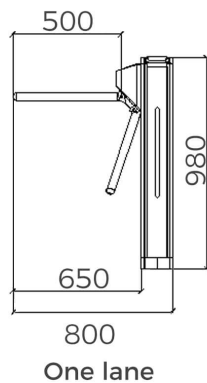
Features

- ✓ Long-life performance, high operation dependability and fast response.
- ✓ The whole system runs smoothly, low noise, no mechanical impact.
- ✓ Single directional or Bi-directional is selectable.
- ✓ Automatic reset function: turnstile arm will lock automatically within 5s (can be setting) if passenger delay to entry.
- ✓ When power is off, arms will drop down automatically, which is complying with fire safety requirements.
- ✓ LED indicator (red means no entry; green means entry; blue means normal close).
- ✓ It has standard relay signal, which can be integrated with any kind of third-party access control system (e.g.: RFID, Fingerprint and Biometric reader device).
- ✓ Easy to install and maintain.
- ✓ 3-year warranty support.

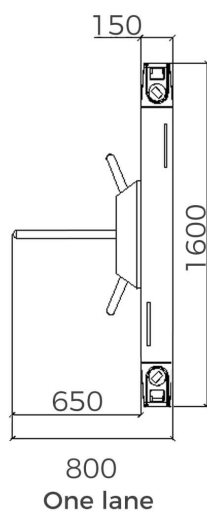
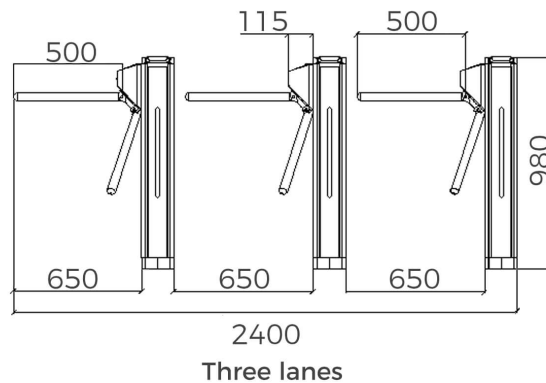


Specification

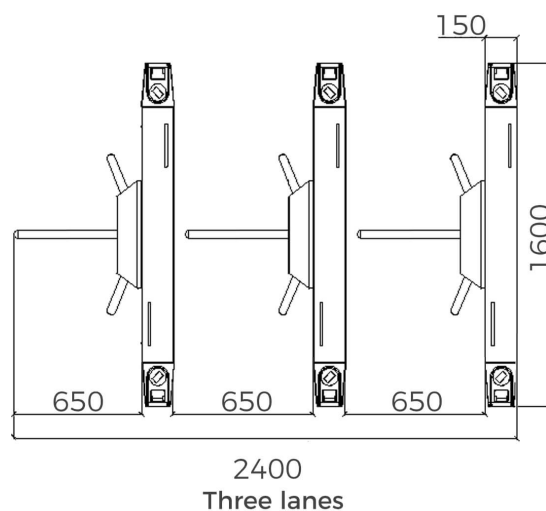
Model No.	DSN-10
Type	Nebula Tripod Turnstile
Brand	Daosafe
Certification	Compliance CE, ROHS
Communication	Dry contact, Relay signal, RS485
Framework Material	304 brushed stainless steel+ High end black painting
Arm material	304 Stainless Steel
Dimension	1600 * 150 * 980mm
Net Weight	65kg/pcs
Passage Width	650mm (standard), 1100mm (handicap)
Passing Direction	Single directional / Bi-directional
MCBF	9 million
Power Supply	AC220V/110V, 50/60Hz
Operation Voltage	24V DC
Power Consumption	20W
Operation Temperature	-20 °C - 75 °C
Operation Humidity	0 ~ 95% (No freeze)
Working Environment	Indoor / Outdoor (shelter)
Flow Rate	40 people per minute
LED Indicator	Unique blue LED strip (front+ top)
Emergency	Arms will drop down automatically
Flexibility	Integrate with any access control



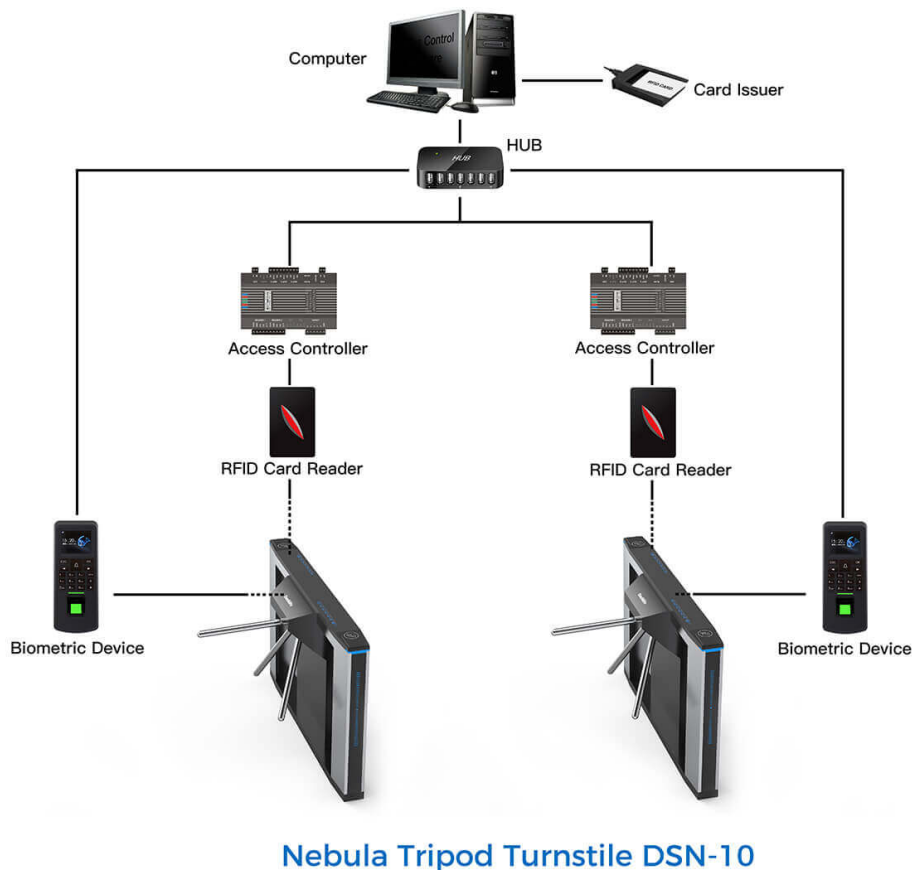
[Front view]



[Top view]



System Integration Figure



REMARK:

- The turnstile circuit board support to work with any relay signal, and support to integrated with any 3rd party access control system: RFID, BIOMETRIC, QR/BARCODE and so on.
- Multiple access controller board can be connected by TCP/IP through net cable, control by central computer.
- The turnstile circuit board is also with RS232 output, it can connect with mini PC. Turnstile will open once received simple code by computer, which is suitable for the complicated like ticketing system solution.

Tripod turnstile is the simple type, with the lowest price in all type turnstiles. The most obvious feature is that only one person can pass at one time. And it supports standard tripod arm type 650mm and handicapped swing type 1100mm for wide passageway, wheelchair, and pedestrian with large luggage can also pass.



One Lane



Two Lanes



Three Lanes with Handicapped Access